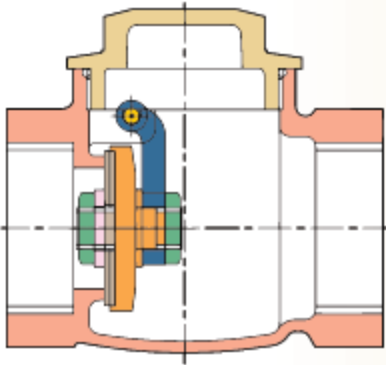


GUN METAL/BRONZE

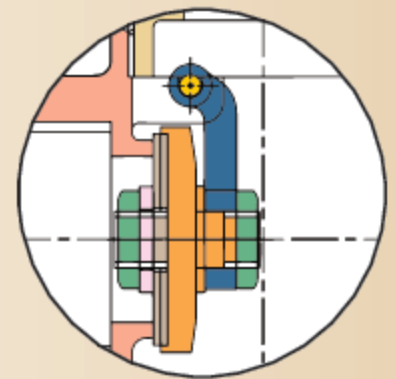
SWING CHECK VALVE



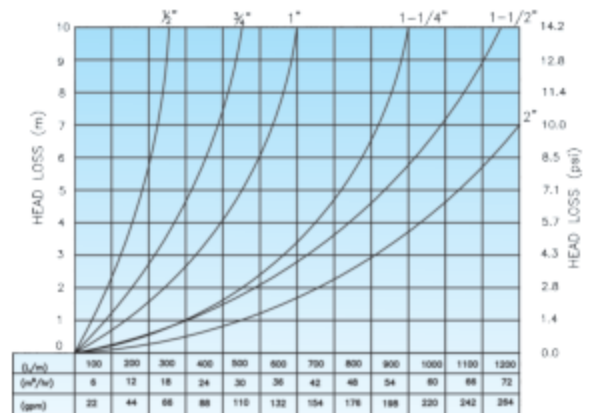
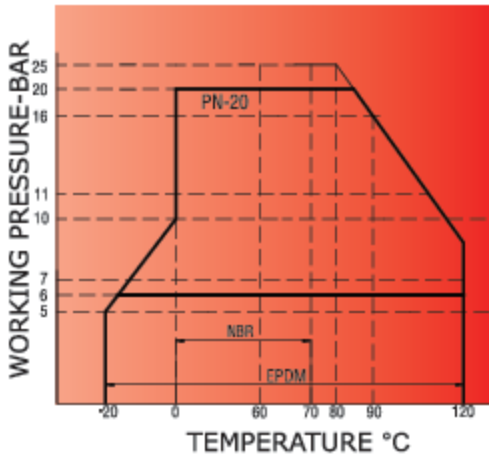
- BODY 1 ■
- DISC 2 ■
- HINGE 3 ■
- HINGE PIN 4 ■
- COVER 5 ■
- HINGE NUT 6 ■
- WASHER 7 ■
- O-RING 8 ■



- **Item Code:** GM045
- **Pressure Rating:** PN-20
- **Testing Standard:** BSEN 12266 PART-1
- **Size Range:** 15mm to 100mm
- **Product Standard:** BS 5154



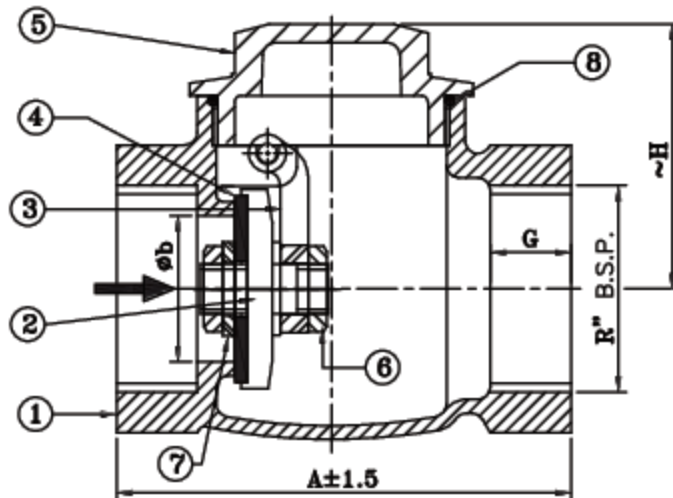
PRESSURE/TEMPERATURE DAIGRAM



Note : The above data is subject to change without notice due to our continuing product improvement program.

PRINCIPAL FEATURES:

- Design Std.: BS 5154.
- Screwed in cover, Integral Seat.
- Resilient Rubber Disc.
- Screwed female BSP parallel threads to BS21 / IS:554.
- Permit flow in one direction and closes automatically if the flow reverses.
- Suitable for both horizontal & vertical installation.
- Also available on request with metal to metal seating for high temperature fluids at an extra cost.



END CONNECTION:

- Screwed Female Parallel Threads to BS21 / IS:554.
- Taper Threads available only upon request.

UTILISATION & SERVICE

- "LEADER" Gun Swing Check valves are suitable for above-ground installations.
- Best suited for hot & cold water, neutral liquids.

WORKING PRESSURE

- Maximum Working Pressure: 20 Bar.
- See Pressure / Temperature Diagram.

TEMPERATURE LIMITS:

- Maximum working temperature: 100°C.
- See Pressure / Temperature Diagram.

PRESSURE RATING: PN-20

TEST PRESSURE (Hydrostatic)

BODY	SEAT
30 Bar (g)	22 Bar (g)

SUITABLE FOR

Water	Oil	Air	Gases
✓	✓	✓	

DIMENSIONAL DATA

SIZE (mm)	15	20	25	32	40	50	65	80	100
A	49	60	73	88	98	108	128	147	178
R	½"	¾"	1"	1-¼"	1-½"	2"	2-½"	3"	4
~H	34.5	35.5	42.5	48	58	69.5	75	86.5	111
Øb	12	18	23.5	29.5	37	46.2	59	70.5	92.5
G	10	12	13	13	13	16	19	21	26
Item Code	GM 045	GM 045	GM 045	GM 045	GM 045	GM 045	GM 045	GM 045	GM 045

MATERIAL SPECIFICATION

P.No.	NAME OF PART	MATERIAL	SPECIFICATION
1	BODY	BRONZE	ASTM B62
2	DISC	BRONZE	ASTM B62
3	HINGE	BRONZE	ASTM B62
4	SOFT SEAT	RUBBER	----
5	COVER	BRONZE	ASTM B62
6	NUT	HIGH TENSILE BRASS / BRONZE	DIN EN 12165 CW721R / ASTM B62
7	WASHER	HIGH TENSILE BRASS	DIN EN 12165 CW721R
8	O-RING	RUBBER	----