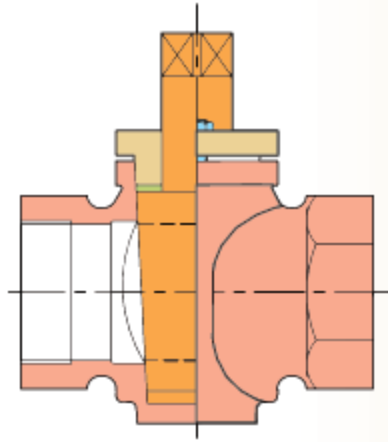


GUN METAL/BRONZE

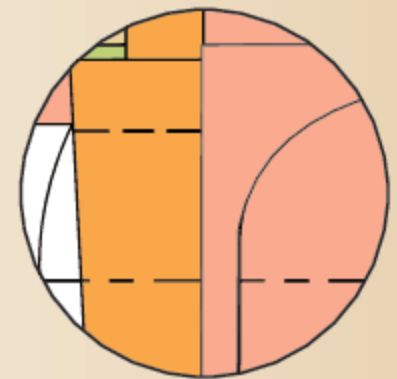
GLAND COCK



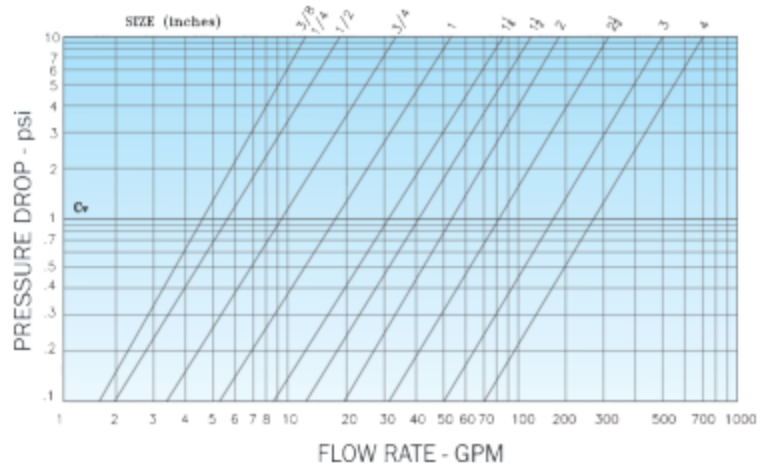
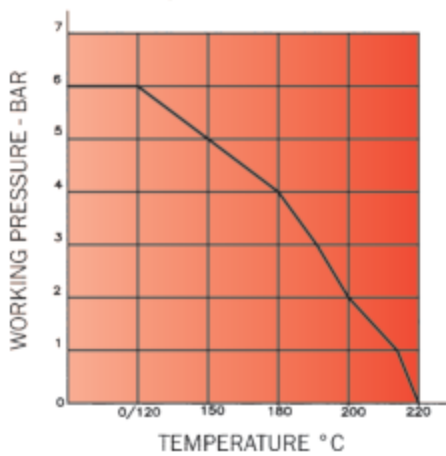
- PLUG 1 ■
- GLAND BOLTS 2 ■
- GLAND 3 ■
- GLAND PACKING 4 ■
- BODY 5 ■



- **Item Code:** GM052
- **Pressure Rating:** PN-6
- **Testing Standard:** BSEN 12266 PART-1
- **Size Range:** 8mm to 100mm
- **Product Standard:** Mfg. Standard



PRESSURE/TEMPERATURE DIAGRAM



Note : The above data is subject to change without notice due to our continuing product improvement program.

PRINCIPAL FEATURES:

- Taper Plug.
- Non lubricated type.
- Suitable for low metering applications.
- Screwed female BSP parallel threads to BS21 / IS:554.

END CONNECTION:

- Screwed female BSP parallel threads to BS21 / IS:554.
- Taper Threads available only upon request.

UTILISATION & SERVICE

- "LEADER" Gun Metal Gland Cocks are suitable for above-ground installations.
- Best suited for hot & cold water, Oils neutral liquids etc.

WORKING PRESSURE

- Maximum Working Pressure: 6 Bar.
- See Pressure / Temperature Diagram.

TEMPERATURE LIMITS:

- Maximum working temperature: 225°C .
- See Pressure / Temperature Diagram.
- **Maximum working pressure (Steam):**
6 Bar at 100°C.

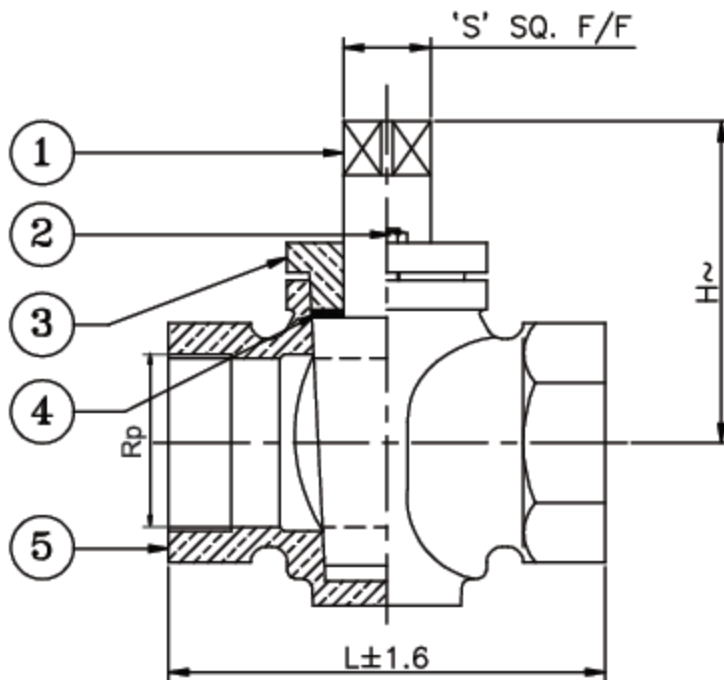
PRESSURE RATING: PN-6

TEST PRESSURE (Hydrostatic)

BODY	SEAT
9 Bar (g)	6.6 Bar (g)

SUITABLE FOR

Water	Oil	Air	Gases
✓	✓		



DIMENSIONAL DATA

SIZE (mm)	8	10	15	20	25	32	40	50	65	80	100
L	48	57	59	70	83	96	111	132	158	184	233
S	9.5	11	11	12.7	13.5	16	19	22	32	35	46
~H	56	56	56	70	84	92	106	118	155	184	244
Rp	1/4"	3/8"	1/2"	3/4"	1"	1-1/4"	1-1/2"	2"	2-1/2"	3"	4"
Item Code	GM 052	GM 052	GM 052	GM 052	GM 052	GM 052	GM 052	GM 052	GM 052	GM 052	GM 052

P.No.	NAME OF PART	MATERIAL	SPECIFICATION
1	PLUG	GUN METAL	BSEN 1982 Gr. CC491K
2	GLAND BOLTS	CAST STEEL	BS 916
3	GLAND	GUN METAL	BSEN 1982 Gr. CC491K
4	GLAND PACKING	TO SUIT WORKING CONDITION	
5	BODY	GUN METAL	BSEN 1982 Gr. CC491K